

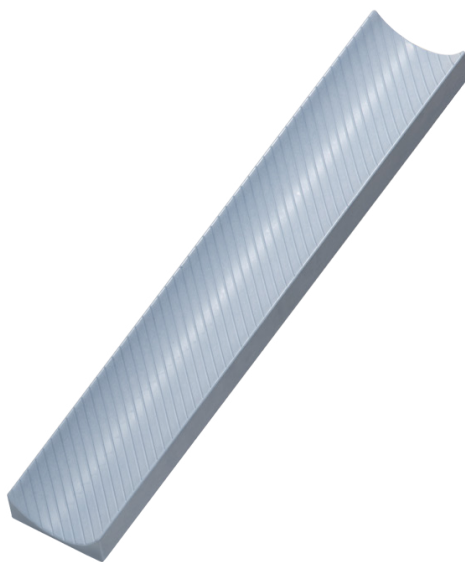


Clamo 048

of the Classic Line

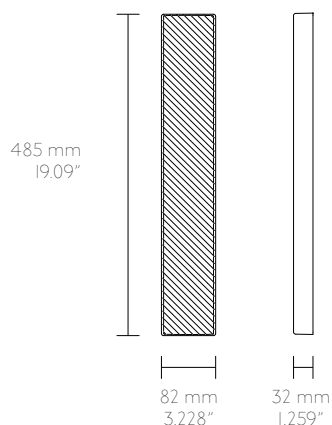
Technical Sheet

Introduction
Technical features
Colours and surface
Application
Maintenance and cleaning



Calm aesthetic

The cleanest and most authentic form of the fluting is represented on the Clamo 048 tiles. Charismatic and distinguished, and at the same time providing a calm and elegant backdrop to your life.



General information

Dimensions	485 x 82 x 32 mm / 19 3/8" x 3 1/4" x 1 1/4"		
Area	26 pcs/m ² / 2.41 pcs/sf		
Weight	1 piece: 1.2 kg / 2,64 lbs	31.2 kg / m ²	6.3 lbs / sf
Colour	Available in every colour of our palette.		
Material	Reinforced fine concrete		
Production	Industrial - artisan		
Treatment	Satin		
Suitable	Interior and exterior wall		
Category	EN 13748-1:2004/A1:2005		

Technical features

Reaction to fire	A1 (96/603/EK)		
Water absorption	value: 5.36 %	required: < 8.0%	
Frost resistance	value: 0.005 kg/m ²	required: < 1.0 kg/m ²	
Breaking strength	2.5 kN/1100 cm ²		
Flexural strength	9,6 MPa		
Perimeter/size accuracy	+/- 0.25%		
Color fastness	constant		
Thickness	+/- 3%		

Packing

pcs/m ²	pcs/box	m ² /box	box/pal	kg/box	kg/pal	m ² /pal
26	8	0.3	20	9.6	192	6
pcs/sf	pcs/box	sf/box	box/pal	lbs/box	lbs/pal	sf/pal
2.41	8	3.32	20	21.12	422	66.4

Colour Palette

All of our collection is available in every shade of the continuously refreshed Cavaril colour palette.

Please note: The CLAMO 048 collection is handcrafted which might result in minor variations in shades. This should be considered as features of the artisan manufacturing process and the material, and not as defects.

Cavaril Selection



medium mauve



cold grey



anthracite



cold white



night blue



medium green



light blue



pastel green



light mauve

Earth tone Collection



warm white



pale ochre



light terracotta



medium sand



warm gold



terracotta

Surface treatment

Our tiles have a satin finish and are water and chemical resistant.

Bespoke colours

Unlike traditional tiles, we can create almost any color thanks to our unique manufacturing technology. Complete your interior design with a customized wall that will blend harmoniously with the most refined architectural choices, creating the perfect match of colors.

For more information please contact the Cavaril Team : info@cavaril.com

Application

Installation by qualified professionals is highly important. Professional installation of Cavaril tiles is a prerequisite for our customers' full satisfaction. Please read the instructions below carefully before applying the tiles. If you have any questions, doubts or are in need of advice, please send us an email to info@cavaril.com or call us at +36 30 209 4771

Receiving the tiles Open all boxes and check the tiles before installing them.* Note that we are always sending you an extra quantity of tiles to replace those damaged in delivery or installation. Please remember that there might be slight shade differences but it will not affect the final result. It is recommended to take tiles from several boxes at a time.

Place of use Interior and exterior usage.

Preparation Make sure the wall is strong enough to carry the tiles. Compare the strenght of your wall to the weight of your tiles. This step is relevant when applying tiles on drywall. You may refer to our Technical Sheet for a chart containing tile weight information.

Make sure the wall is completely dry and smooth. Place a 2 meter long stick on the wall and check from different angles for possible surface variations, bigger than 3 millimeters. If necessary, smooth out the surface using appropriate materials.

If you are not using grout then it might be useful to apply a coat of color-matching paint on the wall surface, prior to applying the tiles. This base color does not have to match the color of the tiles perfectly. Although this step is not a requirement, this method may provide a highly sophisticated finish to your surface.

Using grout It is not necessary to use grout with all Cavaril tiles with each project. Since the tiles are identical in size, they can be placed on the wall surface right next to each other to form a tight pattern. In fact, using this technique will bring the real beauty out of these sculptural tiles. If you are unsure wether using grout is right for your current project, please refer to the chart bellow for guidance.

Grout - not needed	Grout - optional	Grout - necessary
living rooms bedrooms meeting halls offices (dry areas)	bathrooms kitchens laundry rooms spas (slightly moist areas)	Showers and immediate areas (areas regularly exposed to water)

After deciding to use grout, the grouting process itself is similar to the usual process as with other tiles. Use spacers when applying the tiles on the wall surface. Apply the grout after the adhesive is completely dry and the tiles are completely set in place.

IMPORTANT: Avoid using hard tools, such as hard plastics and metal tools when applying the grout. Only use soft-material tools, such as a flexible rubber tool or a grouting sponge. These will save the surface of the tiles from incidental scratching.

When the grout is about half dry, wipe off the tiles with a wet sponge.

Using grout is not appropriate for all Cavaril tiles. This is especially true for our sculptural tiles. Although an experienced tiling professional may be able to grout all of our tiles, we recommend using grout with the following products: Geomo 011, Clamo 026, Clamo 048.

If you need further assistance regarding grouting, you may reach one of our experts for help by email: info@cavaril.com

Adhesives **For Clamo 048 always use polymer-based flexible adhesive.** Check the product description for strength of the adhesive and compare it to the weight of the tiles. If you are applying tiles to an existing tile surface then using an extreme fast bonding polymer-based adhesive is recommended.

Application Always work from bottom up. In case you are not starting from the bottom then it is recommended to use a temporarily attached horizontal support element, which will be removed after the adhesive hardened. Apply the adhesive directly to the back of the tile then place the tile gently on the wall. If you are using bordering elements then always place those first.

IMPORTANT: Do not use hammer or mallet to avoid breaking!

Cutting When cutting tiles, be sure to use a high-speed machine, which has a diamond disk made for cutting stone, concrete or tiles.

The aesthetic and physical properties of the cut surface is different from the normal uncut surface of tiles. After cutting, the concrete is considered as an open structure, raw and untreated. By using a suitable sealer, these surfaces can also be made resistant to water and chemicals. We recommend to use a film-forming concrete sealer. Apply them to the surface as described in the product description of your choice.

* Cavaril is not accepting claims regarding installed tiles.

Maintenance and cleaning

For everyday cleaning purposes, use a dusting cloth or a dry cloth. It is best to use microfiber cloth.

Avoid cleaning with sharp tools and scrubbing pads, as these could leave scratch marks and matte spots on the tiles.

For more intense cleaning, dilute a few drops of general household cleaner in water and apply this solution onto a micro fiber cloth to clean the surface.

In case of more serious soiling, a lightly alkaline or lightly acidic cleaning solution can be used.

Always remove contaminants from all types of tiles, as soon as possible.

If you have any further questions, please contact us at:

info@cavaril.com

+36 30 209 4771

